

# Estonian Drift technical regulations season 2021



## ESTONIAN DRIFT CHAMPIONSHIP

### TEHNICAL REGULATIONS 2021

#### PRO CLASS

**All changes and modifications what are not allowed here, are forbidden. Any Questions about such modifications have to be inquired from EDL Technical commission by email: [tehniline@drifttime.ee](mailto:tehniline@drifttime.ee)**

#### **1. Competition vehicles**

Eligible models must be considered a “production vehicle” and have had a minimum build run of 600 units in each model year.

Eligible body styles include: coupe, sedan, convertible or wagon and have no more than 4 doors.

Vehicles must maintain the original OEM steel unibody and/or steel frame structure between the OEM front and rear suspension mounting points. No trucks or SUVs will be allowed.

Vehicles that do not meet the above eligibility criteria must petition for approval from Drift working group.

#### **2. Chassis**

##### **2.1 Chassis modifications**

- A. The original OEM floorpan, frame and or unibody must remain unmodified between the vertical planes created by the original forward most and rear ward most suspension point or subframe mounting point.
- B. Unibody or chassis may be stich or seam welded.

# Estonian Drift technical regulations season 2021

- C. Plating (strengthening) of chassis floor is prohibited.
- D. Front suspension examples are in Figure 1 and 2.
- E. Rear suspension examples are in Figures 3 and 4.

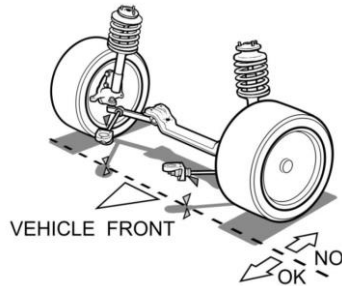


Figure 1

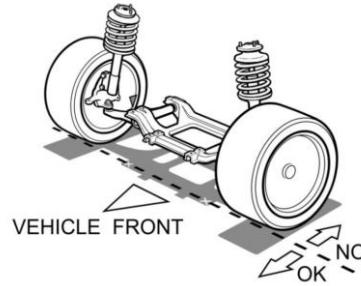


Figure 2

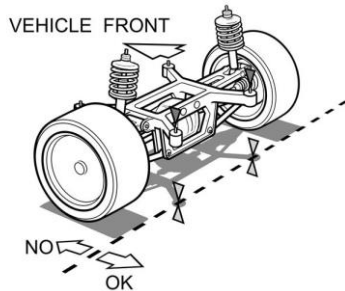


Figure 3

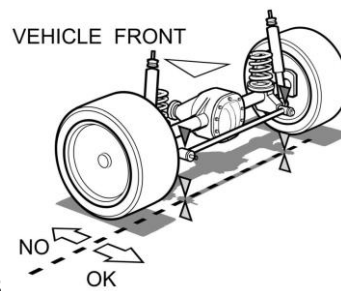


Figure 4

- F. The original OEM floorpan, frame and or unibody must remain unmodified between the horizontal planes created by the original floorpan at the lowest horizontal plane to the roof at its highest horizontal plane. With the exception of transmission tunnel and firewall dimensions listed below and Fuel cell rule.
- G. Items in the unmodified zone that are allowed to be removed can include original rear window parcel shelf, tabs or mounts for unused OEM steering columns, unused OEM windshield wiper mounts, and the exterior roof panel can be replaced with a composite panel. Cutting and modifying outer shell is allowed for installing aftermarket body panels. Any modifications to B pillar is not allowed.
- H. Rear suspension tower cross-members located at the top of the rear suspension towers may be removed from the unibody interior only if a suitable replacement structure of equivalent strength is installed.
- I. No part of the engine casing may cross the vertical threshold of the original firewall into the transmission tunnel.
- J. No other modifications may be made to the vehicle chassis, frame, or unibody.
- K. Any holes in the firewall must be of the minimum size for the passage of controls and wires, and must be completely sealed to prevent the passage of fluids or flames from the engine compartment to the drivers compartment.

# Estonian Drift technical regulations season 2021

## 2.1.1 Firewall and transmission tunnel

A. Modifications of the stock, OEM firewall and transmission tunnel are in Figure 5:

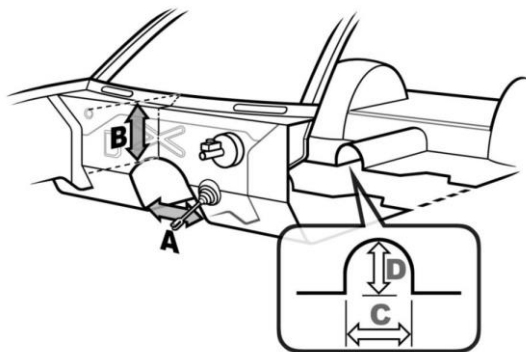


Figure 5

- B. Dimension A: Tunnel Width may be no wider than 45,70cm
- C. Dimension B: Minimum dimension of 25,4cm between the bottom of the windshield and the top of the transmission tunnel.
- D. Dimension C: Modifications to drive shaft tunnels behind the engine firewall vertical plane should not exceed an overall width of 25,4cm.
- E. Dimension D: Modifications to drive shaft tunnels behind the engine firewall vertical plane should not exceed an overall width of 25,4cm.
- F. Taper Length from the firewall to the end of the transmission tunnel into the beginning of the drive shaft hump may be no longer than 91,45cm.

## 2.2 ROLLAGE

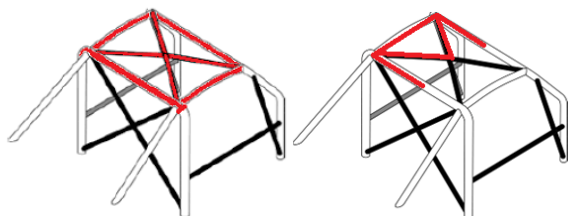
- A. The fitting of a safety cage is compulsory.
- B. Cars made from 2018 –must be in accordance with Annex "J" 253 FIA ART 8.
- C. For safety cages of cars homologated before 01.01.2017, refer to Articles 253-8 of the 2016 Appendix J.
- D. Allowed only seam welded rollcages.
- E. Teams may also choose to install “NASCAR-STYLE” door bars. According to Fia appendix J article 269 DC1 regulations.
- F. Racing car manufacturing date is the issuing date of technical card.

# Estonian Drift technical regulations season 2021

## G. Padding

Where the occupants' bodies could come into contact with the safety cage, flame retardant padding must be provided for protection. All tubes of the cage identified on Drawing 253-68 and all roof reinforcements must be fitted with paddings in compliance with FIA standard

8857-2001 type A (see Technical List n°23). Each padding must be fixed in such a way that it is not moveable from the tube. If only 1 racing seat is used, padding must be used according to picture 2 RHD and opposite for LHD



## 2.3 Bumpers

- A. All vehicles must be equipped with safe front and rear bumpers.
- B. Bumpers at minimum must span the width of the front and rear frame rails.
- C. Bumper bars must remain in the confines of the body lines and body work, without additional covers or body work extensions in order to do so.
- D. Bumpers must be attached to the vehicle by means of 2, for example 8 mm welded bolts, on the side with a minimum hardness class 8.8, in order to prevent the bumper from falling off the vehicle .
- E. The construction of the bumper must not protrude beyond the outline of the car and must be completely under the outer bumper .

## 3. Suspension and brakes

### 3.1 Front Suspension

- A. OEM front sub-frames and cross members are recommended
- B. It is allowed to use manufacturer specific front subframes from other same manufacturer models.
- C. Modified or aftermarket suspension parts, including hubs, are allowed.
- D. All original suspension mounting tabs must remain in the original position. NO cutting, welding, bending, drilling or modifications of any kind will be allowed.

### 3.2 Steering

- A. Modifications of steering components (steering rack, tie rods, etc) are free.
- B. This includes mounting the rack to the front subframe.
- C. The locking system of the anti-theft steering lock have to be rendered inoperative.
- D. The column adjusting system must be locked and must be operated only with tools.

### 3.3 Rear suspension live axle

- A. The original chassis mounting points must remain unaltered and in the original factory position.
- B. Suspension relocation brackets that move suspension points or pivots regardless if they are bolt in to the chassis will not be allowed.
- C. Original suspension design must remain: 3 link, 4 link, etc.

# Estonian Drift technical regulations season 2021

## 3.4 Rear suspension – independent

- A. The original chassis mounting points must remain unaltered and in the original factory position.
- B. OEM rear sub-frames and cross members are recommended
- C. It is allowed to use manufacturer specific rear subframes from other same manufacturer models.
- D. Modified or aftermarket suspension parts, including hubs, are allowed.
- E. Additional mounting tabs may be added to the subframe relocate the suspension arm mounting points a maximum of 50mm on any plane from the original mounting position.
- F. Rear subframes may be modified to allow for mounting or relocating a differential. modification(s) such as cutting, welding, strengthening, etc is not allowed.

## 3.5 Brakes

- A. The primary brake system must operate all 4 wheels.
- B. Dual master cylinders pedal assemblies are allowed.
- C. Driver adjustable brake bias is allowed.
- D. Secondary hydraulic e-brake systems are allowed as a fully separate system or as a pass through system.
- E. Carbon fiber, carbon ceramic, and carbon variant brakes or rotors are not allowed.
- F. Brake pedal box reservoirs must be outside the cockpit or in a sealed container.
- G. Handbrake reservoir must be closed one.

## 3.6 Tyres

- A. Any attempt to modify tires “Grooving” or “Shaving” of tires is prohibited.
- B. The use of traction compounds or any other substance that may alter the physical properties of the tire are prohibited.
- C. Tire warmers are prohibited.
- D. Maximum rear tyre width 285mm

## 3.7 Wheels

- A. The size of the wheels is free.
- B. The use of additional locks between the rim and the tire is forbidden.
- C. Wheels must be in contrasting color or have different color stickers on each rim. Wheel rim stickers must be a minimum of 2,5x10cm

## 4. Drivetrain

### 4.1 Engine

- A. Engine substitutions and modifications are free, but may only run on gasoline, diesel, and ethanol blends. All other fuels require written approval from the COMPETITION DIRECTOR.
- B. All fluid systems must be free of leaks.

### 4.2 Cooling system

- A. Cooling system modifications are free but must be fully closed and free of leaks.
- B. Automatic water sprayers will be allowed during competition, but must not be leaking on the track, starting line, or grid area.
- C. If cooling system lines are routed in the driver’s compartment or a trunk area that is open to the driver, they must be separated from the driver by a crushable metal enclosure

# Estonian Drift technical regulations season 2021

made up of 1mm steel, or 1.5mm aluminum. The floor of the enclosure must be designed to prevent accumulation of fluids.

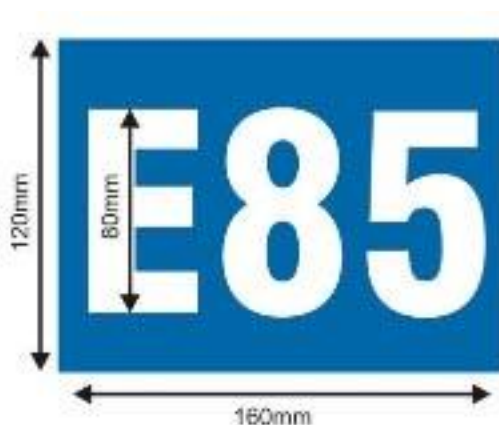
- D. Cooling systems shall be filled with water only. Coolant Additives such as NEO “Keep Cool” and Redline “Water Wetter” are allowed.

## 4.3 Oil system

- A. Oil system modifications are free but must be fully closed and free of leaks.
- B. If the oil tank is located in the driver’s compartment area, or a trunk area that is open to the driver, it must be separated from the driver by a metal enclosure made up of 1mm steel, or 1,5mm aluminum.
- C. The floor of the enclosure must be designed to prevent accumulation of fluids.
- D. Engine crankcase ventilation must be entered into securely secured container with a breather filter element for discharging pressure into the atmosphere. We recommend to use Half Engine size containers. (Eg. If engine is 2.0L then container should be 1L) Container should not be bigger than 3L.

## 4.4 Fuel System

- A. The fuel system design is free, but engines may only run on gasoline, diesel, and ethanol blends. Cars running bioethanol E85 should be with equipped with E85 sticker on it.



- B. Safety Fuel cells are required for all vehicles with a relocated fuel tank. FT3-1999, FT3.5-1999 or FT5-1999 and SFI 28.1 are accepted. They can be used with ended homologation term.
- C. The use of safety foam in FT3-1999, FT3.5-1999 or FT5-1999 tanks is recommended.
- D. Safety fuel cells shall consist of a bladder enclosed in a metal container.
- E. If the factory fuel tank is retained it must mounted in the factory location, and in the factory manner.
- F. Fuel tank/cell must be separated and completely sealed to prevent the passage of fluids or flames from entering the driver’s compartment by a permanently mounted steel or aluminum bulkhead. The bulkhead in a hatchback vehicle must be affixed to the chassis and no movable structure or panel such as the hatch will be allowed as part of the bulkhead. Fuel cells may be installed in the interior of the vehicle, preferably within the confines of the roll cage structure.
- G. The floor pan may be modified to fit a fuel cell.
- H. Fuel cells must have a flapper valve installed to prevent spillage in the event of a roll over.
- I. Fuel System must not leak on the track, starting line, or grid area.

# Estonian Drift technical regulations season 2021

- J. Fuel cell ventilation must be entered into safety rollover 2way ventilation valve.

## 4.4.2 Fuel lines

- A. Fuel lines and fittings according FIA appendix J 253 Art 3.
- B. All the fuel pumps must only operate when the engine is running, except during the starting process.

## 4.5 Exhaust system

- A. Exhaust noise level is maximum 100dB +/- 3db. Measured 0,5m from exhaust tip and 45degrees from the ground at 4500rpm.
- B. Exhaust tip must pass rear wheels center point and facing town on the 45 degree angle towards the rear pumper.
- C. Vehicles must have optional noise bungs, which can be securely installed to comply with additional noise restrictions at each venue. You **MUST** have options to silence your car at all venues.

## 4.6 Starter

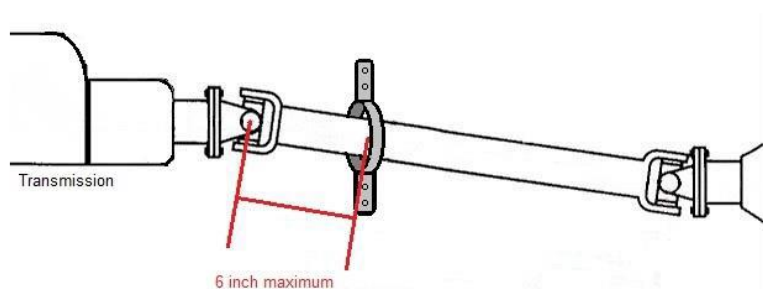
- A. All vehicles must be equipped with an on-board starter and power supply which must be in working order at all times.

## 4.7 Transmission

- A. All vehicles must be equipped with a functioning reverse gear.
- B. Transmission and/or final drive modifications are free, but only the rear wheels may propel the vehicle.
- C. Gearbox and differential ventilation must be entered into securely secured container (outside driver's compartment) with a breather filter element for discharging pressure into the atmosphere.

## 4.8 Driveshaft

- A. All vehicles must have a driveshaft retaining loop mounted within 15 cm of the forward most universal joint and be securely attached to a unibody or frame structure as in Figure 9.
- B. The driveshaft loop may be made of minimum 6 x 50mm wide steel strap or 22 x 1,5mm steel tubing and be securely mounted in case of universal joint failure.

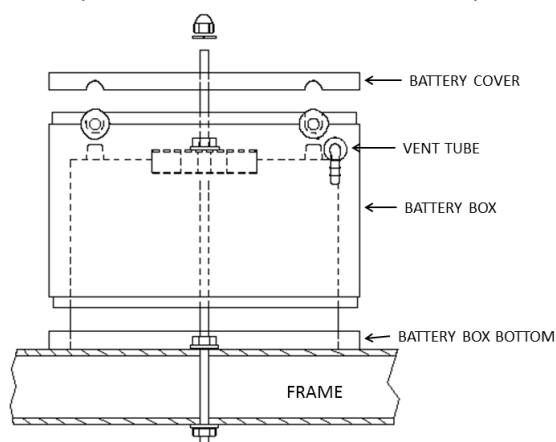


## 5. Electrical system

### 5.1 Battery

# Estonian Drift technical regulations season 2021

- A. The battery must be securely mounted and the positive terminal completely insulated to avoid contact with any other metal parts.
- B. Batteries may be relocated.
- C. Relocated batteries must be fastened to the frame or unibody with a minimum of two M10 diameter bolts.
- D. J bolts or hooks are prohibited– Only metal straps are allowed .
- E. If the battery is located in the driver’s compartment, it must in a sealed box bolted with the battery fastened inside the box securely bolted to the unibody/ chassic and properly vented and drained. It can be located only behind driver/passenger seat. From 2018 only dry battery can be used inside driver`s compartment.



(2) 3/8" THREADED RODS TO PASS THROUGH BATTERY BOX AND HOLDDOWN TO SECURE THE BATTERY TO THE VEHICLE'S FRAME

## 5.2 Master Cutoff

- A. The car must be equipped with a general circuit breaker. The general circuit breaker must cut all electrical circuits (battery, alternator or dynamo, lights, hooters, ignition, electrical controls, etc.) and must also stop the engine. It must be installed according to the specifications listed in the Appendix J– Art. 253, clause 13 of FIA technical regulations.

## 6. Body exterior and interior

### 6.1 Body panels

- A. Vehicles must maintain the OEM look and feel.
- B. Panels must be clean, free of damage and presentable for competition.
- C. All bodywork must be painted or covered and securely attached to the vehicle.
- D. Aftermarket body panels, front and/or rear fascias, side skirts and wings are permitted.
- E. Over fenders are permitted.
- F. All aftermarket panels and aerodynamic devices must be securely fastened to the vehicle.

### 6.2 Doors

- A. Doors must be mounted to the chassis with unmodified factory hinges.
- B. Doors must use the factory latch mechanism



# Estonian Drift technical regulations season 2021

- C. The inside and outside door latch/ lock operating mechanism must be functional and readily accessible for the driver to exit the vehicle.
- D. Plastic doors can be used.

## 6.3 Windshield

- A. Windshields must be OEM glass or Lexan/polycarbonate replacement.
- B. Lexan/polycarbonate windshields must be a minimum thickness of 5mm
- C. Lexan/polycarbonate windshields must be securely mounted and have a vertical brace which is securely mounted down the center of the opening on inside the vehicle.
- D. Windshields must be clear, use of tint is prohibited.

## 6.4 Windows and window restraints

- A. Door, quarter and rear window must be OEM glass or polycarbonate with minimum thickness of 3mm and securely bolted in place.
- B. Side windows shall have a window net, OEM glass, or a piece of Lexan/polycarbonate in place of both front window openings whenever the vehicle is on-track.
- C. Side windows and rear windows must be clear, use of tint or wrap is prohibited.
- D. Competitors may choose to use arm restraints in lieu of side windows or a window net.
- E. Competitors with convertible vehicles must use arm restraints.

## 6.5 Wipers

- A. Vehicles must have a functioning windshield wiper.

## 6.6 Mirrors

- A. Two external, rear-facing mirrors are required, and must be positioned so that the driver can see objects along both sides of the vehicle.
- B. OEM mirrors in the OEM mounting position are encouraged.

## 6.7 Hood Pins

- A. At least two additional safety fasteners must be fitted for each of the bonnet and boot lids.
- B. The original locking mechanisms must be removed.

## 6.8 Towing apparatus

Must be equipped front and rear as follows:

- A. Load Rating of not less than the gross vehicle weight.
- B. Minimum internal hole diameter of 50mm.
- C. Colored in a contrasting color to the surrounding body work.
- D. If not clearly visible must that their position clearly indicated by the word "TOW" or an arrow in a contrasting body color.

## 6.9 Lights

### 6.9.1 External Lights

- A. Usage of car manufacturer OEM lights are highly recommended.
- B. External lights may be removed, provided that any resultant openings in the bodywork are covered. Covers must conform to the original general silhouette. In each cover, a hole with an area of 30 cm<sup>2</sup> may be left for cooling purposes or inserts for any type of light source is allowed.
- B. In case of using rear light covers, car must be fitted with a minimum of two rain lights approved by the FIA (Technical List n°19) minimum illuminated area of each light : 60cm<sup>2</sup> not exceed 70cm<sup>2</sup>, working whenever the brakes are on.

# Estonian Drift technical regulations season 2021

C. Brake lights and tail lights may only be red, tinting is prohibited. All rear lights must be placed symmetrically in relation to the longitudinal axis of the car and in the same transverse plane. In addition to the two rear brake lights mentioned above, there must be one rearward facing red light approved by the FIA (Technical List n°19). The lighted area of this lamp must not exceed 70 cm<sup>2</sup> but must be greater than 60 cm<sup>2</sup>. It must be situated at the vehicle

centreline.

## 6.9.2 REAR Window LED

A. Extra brake light, LED type. These lights as LED strips with a minimum length of 50 cm each, must be mounted on the roof edges just above the front and rear windows, centrally in the axis of the car. The LED strip above the windscreen must not collide with the official Organizer's banner nor may it be covered by it.

B. Light strips must be connected to the existing brake light circuit.

## 6.10 Interior

A. The interior of the vehicle must be clean and professional in appearance.

B. All non-essential and/or loose items must be removed.

C. All carpeting and/or sound deadening material must be removed.

D. Doors must be covered, to prevent occupants from injuries..

## 6.11 Dashboard

A. The dashboard must be either stock or fiberglass stock appearing replacement.

## 6.12 Gauges

A. It's prohibited to use aftermarket mechanical gauges in drivers compartment (oil, fuel, water).

## 7. Drivers and passenger safety equipment

### 7.1 Helmet

According to FIA technical list N.25 N.33 N.49

A. All occupants must wear a safety helmet during on-track sessions.

B. Helmet chin straps must be buckled or fastened while on course.

C. Cameras may not be mounted to competitor's helmets.

D. Use of FHR systems are mandatory.

E. Any kind of helmet modifying is prohibited. Helmet painting must be done by certified painter. Customisation must be done by following helmet manufacturer descriptions and must have issued certificate by the painter.

### 7.2 Driving suit

A. One-piece driving suits are required and must be made of fire-resistant material and certified to FIA 2000 specs or higher, which effectively covers the body, including neck, ankles and wrists. Multi-layer driving suits are recommended. Any kind of non manufacturer embroidery, sewing, labels, prints etc. are not allowed.

B. Gloves, shoes, balaclava and socks are required and must be fire-resistant material and certified to FIA 8856-2000 specs.

C. Articles must be free of holes, tears or other openings except those made by the manufacturer of the equipment.

D. Fire-resistant underwear is mandatory

# Estonian Drift technical regulations season 2021

## 7.3 Seats

- A. All vehicles must have at least one seat for the driver. All the occupants' seats must be homologated by the FIA (8855-1999 or 8862-2009 standards), and not modified.
  
- B. The homologation labels must be visible and readable, seat(s) must be without any damages (scratches, rips, visible wearings etc.) .

## 7.4 Seat support – according to FIA Appendix J – ART 16.

- A. Seat supports shall be of the type listed on FIA technical list No.12 (lateral, bottom, etc).

## 7.5 Seat belts

- A. All occupants must utilize either six-point, restraint harness meeting the following specifications at all times during practice, qualifying, and the race.
- B. All Harness belts must meet FIA Homologations, FIA 8853/98 , FIA 8853-2016 or higher and can be used +2 years after NOT VALID date on label.
- C. Installation according to FIA appendix J 253 – ART 6.

## 7.6 Arm restraints

- A. Competitors may choose to use arm restraints in lieu of windows or a window net.
- B. Competitors with convertible vehicles must use arm restraints.

## 7.7 Head and neck restraints

- A. A Head and neck restraint certified in accordance with FIA 8858-2002 or 8858-2010 are required at all times on track during practice and competition.

## 7.8 Extinguishers – extinguishing systems

- A. Fire extinguisher system is recommended and is mandatory on some big drift series.
- B. Cars running E85 bioethanol fuel – must be equipped with one 4kg or 2pc 2kg manual extinguishers.
- C. All extinguishers must be adequately protected.
- D. Their mountings must be able to withstand a deceleration of 25 g.
- E. Only quick-release metal fastenings (two minimum), with metal straps, are accepted.
- F. Anti-torpedo tabs are required.

